

EXPOGO Select banner instructions

Installation of Graphic

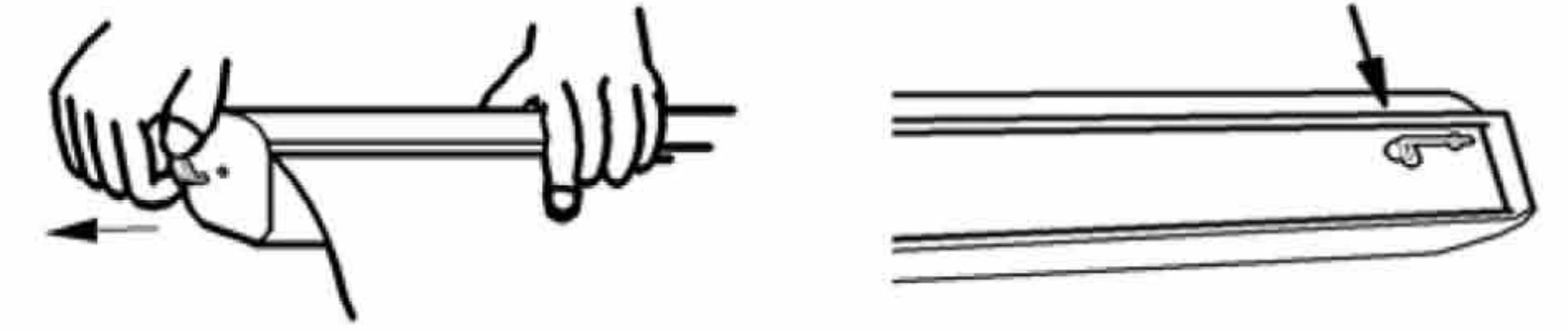
1. Loosen the 4 screws halfway on the top trim, take the lead bar out from the slot. Remove the protective cover of adhesive tape, attach the graphic to the bar. Place the bar back to the slot. Tighten the 4 set screws and make sure the lead bar with graphic is secured.



2. Remove the protective cover of adhesive tape on the leader paper from the base hardware, stick the other end of graphic with picture side facing upwards to the leader paper and press it firmly. Stick extra adhesive tape over the joints on the both sides to reinforce.



3. Hold on to graphic firmly while removing the key from the base and slowly allow the graphic to retract into base. Replace key on the base bottom.



Set Up Installation

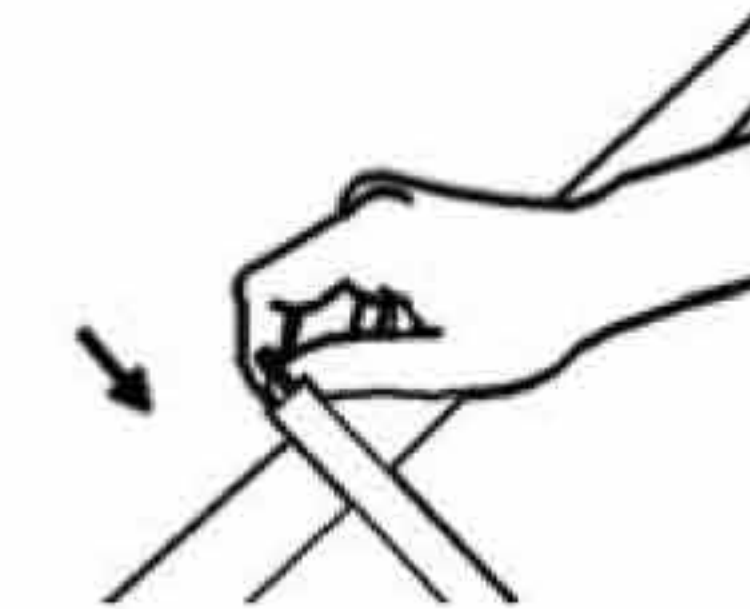
1. Rotate stable foot 90°. Remove the pole from the banner stand base.



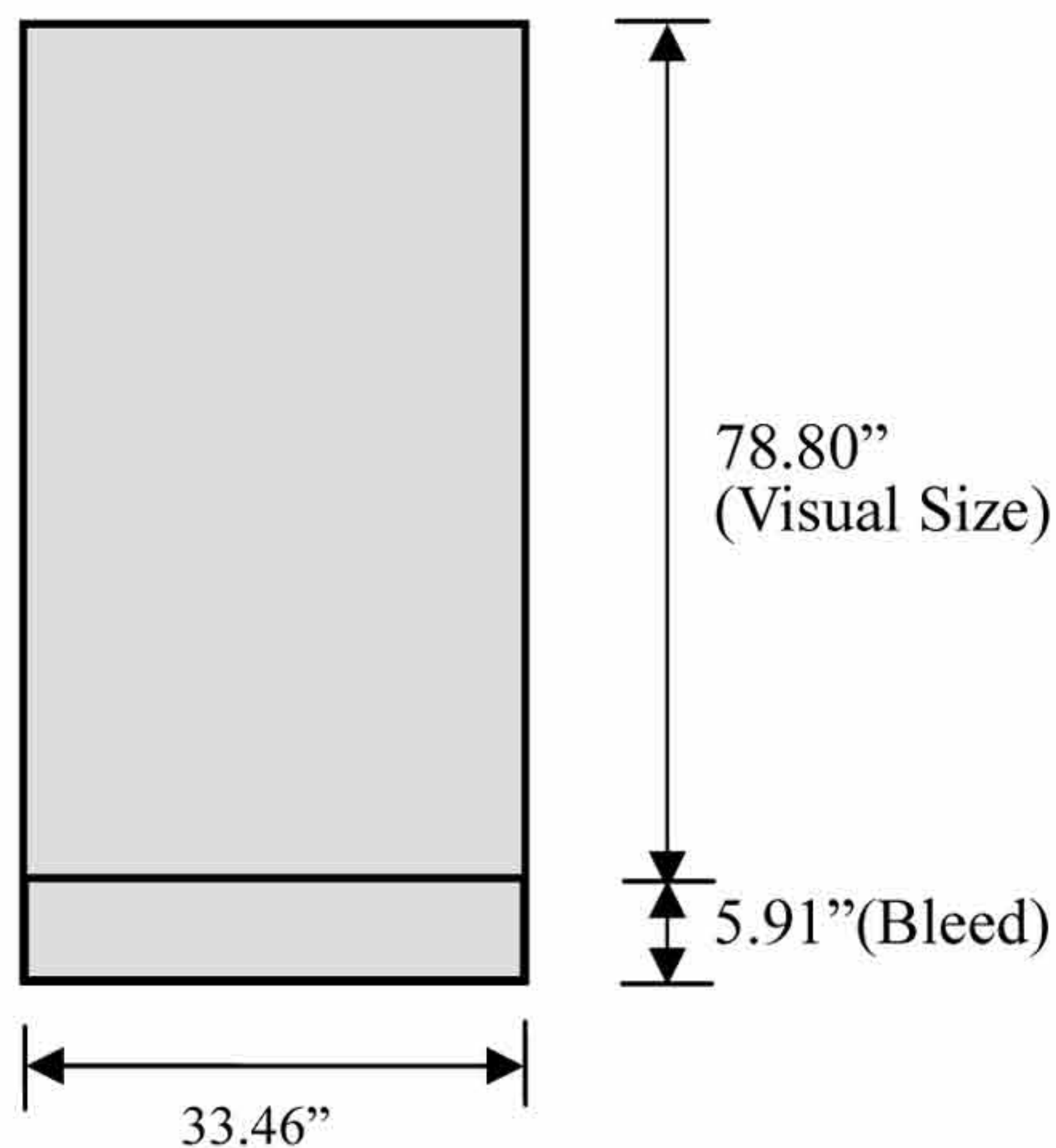
2. Connect each pole section. Insert pole into the hole at the base.



3. Roll the graphic up completely, and insert the hook at the top trim into pole.



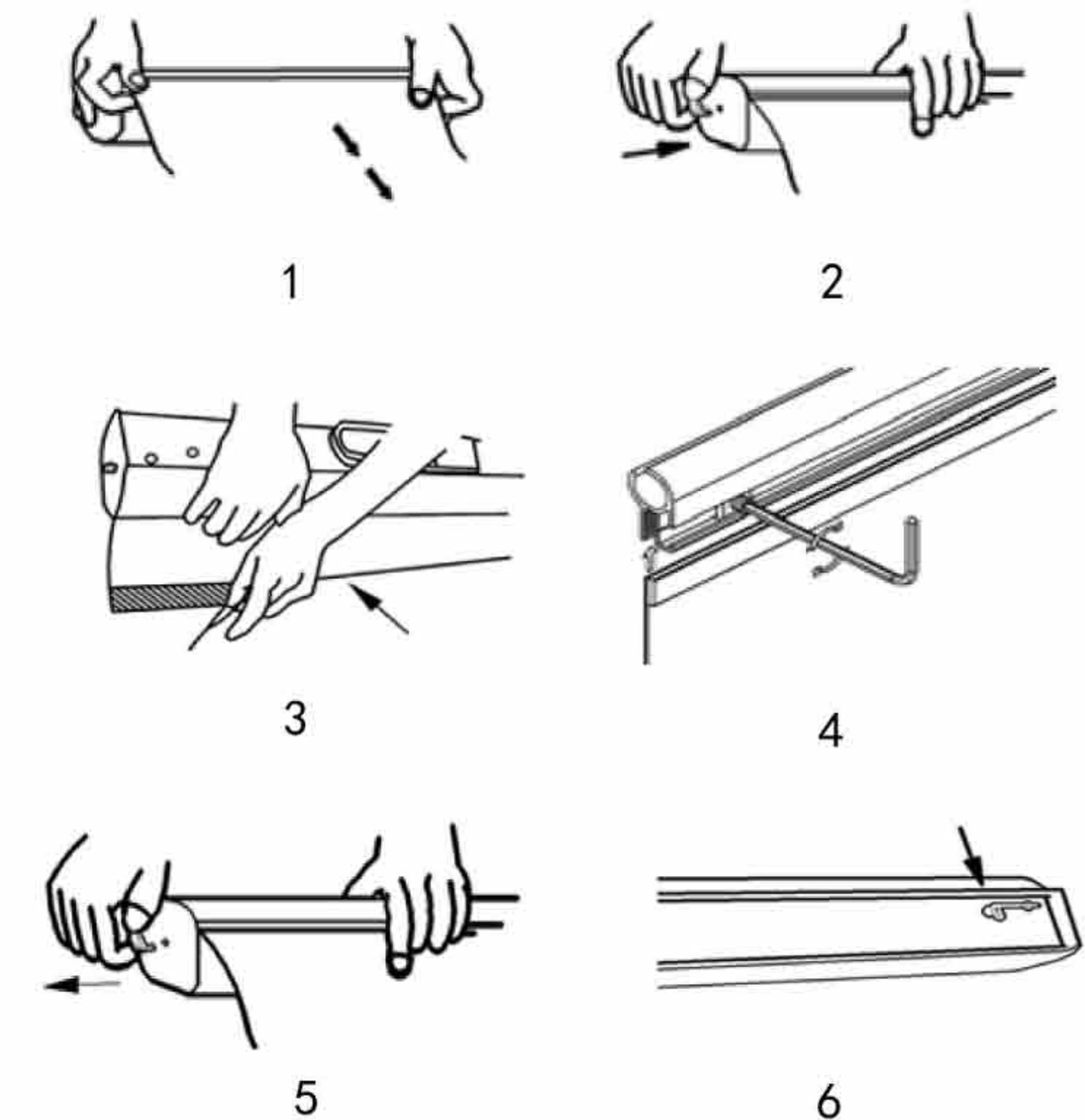
Size of Graphic



Suggested: The graphic should be 5.91" longer than visual size. It will be rolled into the banner stand. Graphic thickness ≤ 0.014 "

Change the Graphic

1. Remove the key from the bottom of the base and pull out the graphic as long as possible until the leader paper is out of the housing.
2. Insert key into the hole on the base to lock the graphic.
3. Remove the old graphic from the leader paper. Along the black line, attach new double sided adhesive tape. Remove the protective cover of adhesive tape, stick the new graphic with picture side facing upwards on the leader paper and press it firmly. And then, stick extra adhesive tape over the joints on the both sides to enforce.
4. Loosen the 4 screws halfway on the top trim, take the lead bar out from the slot. Remove the old graphic and adhesive tape from the bar, and attach new adhesive tape on the bar. Place the bar back to the slot. Tighten the 4 screws and make sure the lead bar with graphic is secured.
5. Hold graphic firmly while removing the key from the base and slowly allow the graphic retract into base.
6. Replace key on the base bottom.



WARNING To avoid tension problem:
Please don't remove the key from the plate until you complete the graphic installation.
Ensure the graphic top end is securely attached into the clamp top trim.
Ensure to add extra adhesive tape over the joints on the both sides of graphic end and leader paper.